



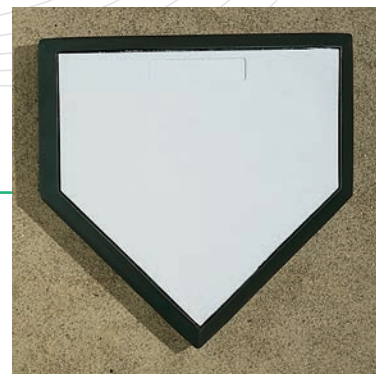
PRO STYLE HOME PLATE

Rubber. Official 17" size with stanchion mounted steel plate. White 17" with black beveled edge 19 1/2". CTN 2 pcs 33 lbs Taiwan. **MHP7S**



BURY-ALL HOME PLATE

Non-skid rubber surface prevents slipping, skidding. Official 17" size, one piece, 3 1/2" high, foam core inside, wood bottom. Beveled edges. 3/16" thick molded rubber. Taiwan. **MWBHP**



PRO HOME PLATE w/RUBBER ANCHOR

Quality constructed plate with removable rubber anchor stake. Official 17" size. Taiwan. **MHPWA**

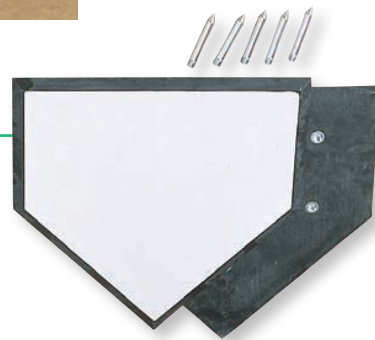


BURY-ALL HOME PLATE

Non-skid rubber surface prevents slipping, skidding. 3 1/2" high, rubber waffle bottom. Beveled edges. 3/16" thick molded rubber. Official 17" size. Taiwan. **MBHP**

SAV-A-LEG

Official 17" plate for minor and youth league teams. 17" x 17", inside edges 8 1/2". Beveled sides slant into ground, for safe sliding at home. White with black edge. Finest rubber, five metal spikes. Taiwan. **MHP3**



E-Z SLIDE

Official 15 1/2" softball. Beveled sides for safe, smooth sliding. White surface, finest rubber. With 3 removable metal spikes. 17 1/2" with beveled sides. Taiwan. **MHP6**
Warning: Sliding into a base represents a clear and present hazard. Injury may result.



STEP DOWN PITCHING RUBBER

Pro - 6" x 24". 17.0 lbs **SDPP24**
Youth - 4" x 18" **SDPP18**



FOUR-SIDED PITCHER'S BOX

Regulation size with aluminum tube. Adult - 6" x 24" **M4SPB**
Youth - 4" x 18" **MY4SPB**

NAIL DOWN PITCHING RUBBER

White rubber. Easily secured with four metal nail style spikes. Taiwan. Regulation - 6" x 24" **NPP24**
Youth - 4" x 18" **NPP18**

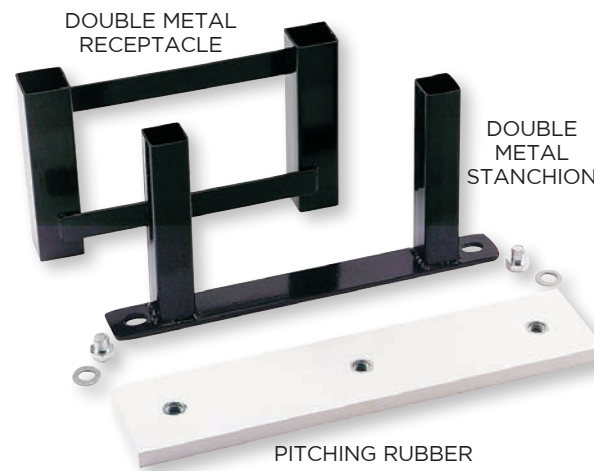


PITCHER'S PLATES

"Regulation." Single white surface pitcher's plate of official dimension, includes three metal spikes. 6" x 24" x 3/4". Works with movable sets. Taiwan **MPP2**
"Official" youth league size. 4" x 18" surface. White rubber, includes 3 spikes. Works with movable sets. **MLP4**

EXTRA STEEL SPIKES

For rubber home plates, pitcher's plates. (150 PCS 36 lbs) **XXSPX**



DOUBLE METAL RECEPTACLE

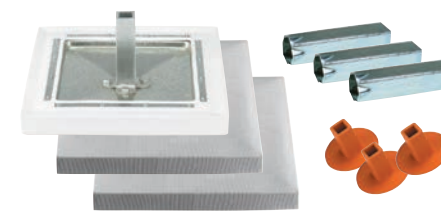
DOUBLE METAL STANCHION

PITCHING RUBBER

MOVABLE PITCHING RUBBER

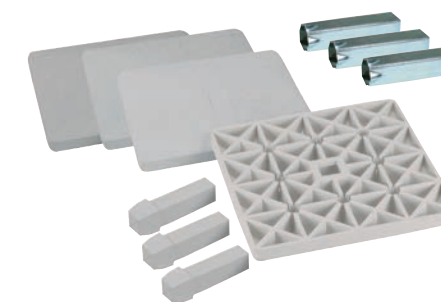
Double metal receptacle, double metal stanchion anchor, pitching rubber & hardware. Convenient, movable pitching rubber. Install and secure into receptacle system. Remove pitching rubber after game or practice. Great for multi-purpose fields. Regulation (6" x 24") and Youth (4" x 18") sizes. Taiwan.

| | Complete Set w/ hardware | Pitching Rubber/ Double Metal Station w/ hardware | Double Metal Stanchion only | Double Metal Receptacle only |
|-------------------|--------------------------|---|-----------------------------|------------------------------|
| REGULATION | MVPP24 | MVP240 | D24MSA | D24GR |
| Weight (lbs.) | 16.4 | 10.6 | 4.8 | 4.3 |
| YOUTH | MVPP18 | MVP180 | D18MSA | D18GR |
| Weight (lbs.) | 11.8 | 7.6 | 4.1 | 3.8 |



HOLLYWOOD-STYLE BASEBALL BASES - SET OF 3

15" x 15" x 3" regulation size with Universal Stanchion. Rubber covered, foam filled bases. Fits both 1" male and 1 1/2" female ground receptacles. Includes three GR8 metal ground receptacles and three PLUGO receptacle plugs. 43 lbs. Taiwan **MWHW**
Single Hollywood Style Base. No receptacle. No plug. **MWHWEA**



MOLDED PRO BASES - SET OF 3

15" x 15" x 2 1/2" Molded rubber construction with unique, durable underside. Comes with 3 rubber anchor stakes and 3 metal ground receptacles. 34 lbs. Taiwan. **MPB**



MAGNETIC BREAKAWAY BASE (EACH)

15" x 15" x 3". Meets Little League Rule 1.06/Breakaway Feature. Each Magnetic Base has three breakaway plates included for 3 levels of sliding and play. Ground receptacle, bolt-on metal plate stanchion, hardware and Allen wrench included. **MMBASE** Each



BASEBALL BASES SET OF 3

15" x 15" x 3" baseball bases. Vinyl coated with foam filling. Two web straps and two 9/2" metal base spikes per base. Markwort logo on each base. 11 lbs. **15BX3**

JR. BASEBALL BASES SET OF 3

14" x 14" x 2" vinyl coated foam filled Junior League bases. Two web straps and two 9/2" metal spikes per base. **LLX2**

SOFTBALL BASES SET OF 3

15" x 15" x 2" vinyl coated cover softball bases. Foam filled, two web straps and two 9/2" metal base spikes per base. **15SX2**

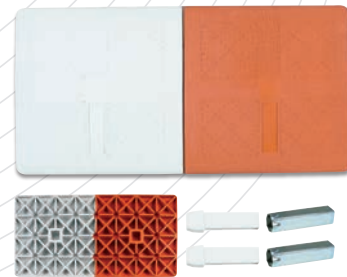


SANDLOT YOUTH BASES

14" x 14" x 1" vinyl coated cover. Foam filled. Two web straps and two metal spikes per base. **LLX1**

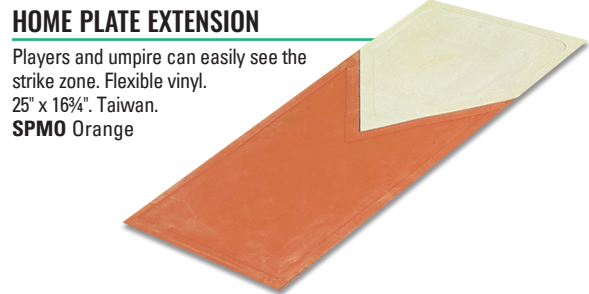


STRIKE ZONE HOME PLATE
Visual feedback for catchers and pitchers learning to work the edges. Light-weight for easy carrying. Can be placed on top of regular home plate. Umpire training tool to learn the strike zone. 17" x 17"
MW1729



MOLDED RUBBER DOUBLE-WIDE SAFETY FIRST BASE
Traditional shape and style, tough rubber construction. Comes with two detachable rubber anchor stakes that insert into the bottom of each side of the base. Two metal ground receptacles included. 15" x 30" x 2 1/2". 23 lbs.
MDW3R

TARGET BASES – SET OF 3
5" orange corner provides visual target for players when running to the base. Great training aid to provide instant feedback for coaches to see player's foot placement when rounding the base. Youth league size. 14" x 14" x 2". 20 lbs.
TLLX2

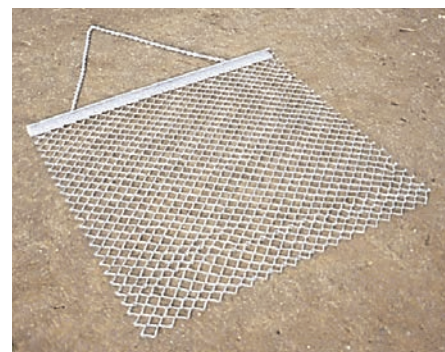


HOME PLATE EXTENSION
Players and umpire can easily see the strike zone. Flexible vinyl. 25" x 16 3/4". Taiwan.
SPMO Orange



DOUBLE WIDE SAFETY FIRST BASE
Promote safety and reduce collisions, injuries, broken bones, spiking, etc. The white half sits in fair territory, the orange "Safe" portion sits in foul territory. The batter touches the orange half when crossing first base. Heavy-duty 18 oz. vinyl covers (double layered on top for additional strength) and rebounded foam filling. Three nylon straps with metal buckles and two steel spikes (four total) with each base.
MDW330 3" x 15" x 30"
MDW230 2" x 15" x 30"
MDW228 2" x 14" x 28"

★ FIELD PREP ★



INFIELD DRAG MAT
Constructed of galvanized chain link fencing, welded to 3/16" thick angle iron. Heavy-duty pull chain is attached to angle iron. Sturdy enough to be pulled by a tractor. 6' wide x 6' long. 45 lbs. USA.
IDM



MEASURING TAPES
Durable ABS resin lightweight frame. Large handle.
800165 50m/165 ft.
800330 100m/330 ft.



STRING WINDER & LINE
Approximately 750' of nylon mason line. Ensures a straight line every time. Secures at home plate. 10" steel spike included.
1651K

PORTABLE SOFTBALL BASES
All rubber construction. Beveled edges, underside has suction design, prevents slipping on gym floors. 13 1/2" square, no spikes. Matches MHP6 home plate or MHPTD home plate. Taiwan.
MSV5 Set of 3 Bases



THROW DOWN HOME PLATE w/BEVELED SIDES
15" x 15" x 2 1/2" Official softball size. White surface. Finest rubber. No spikes. Matches MSV5 portable softball bases. Taiwan.
MHPTD



THROW DOWN BASE SETS
Economy set of 3 rubber bases plus a home plate and pitcher's plate. Designed for either indoor or outdoor use.
(3) Bases: 13 1/2" x 13 1/2" x 1/8";
(1) Home plate: 17 1/2" x 17" x 1/8";
(1) Pitcher's plate: 17 1/2" x 5" x 1/8"
MTB7WP-
O Orange W White
(3) Bases: 13 1/2" x 13 1/2" x 1/8"; (1) Home plate: 17 1/2" x 17" x 1/8"
MTB7-
O Orange W White
(3) Bases only: 13 1/2" x 13 1/2" x 1/8"
MTB3W White
(1) Home plate only: 17 1/2" x 17" x 1/8"
MTHPW White



DIG OUT TOOL w/FLAT BENT END
13". Taiwan.
DIGT

DIG OUT TOOL w/FORK END & WOOD HANDLE
Remove excess dirt in and around anchors, ground receptacles. 12". Taiwan.
DIGF



RECEPTACLE PLUGS
1" x 1". 4 7/8" top mushroom diameter & 1" rise. Compatible with MVPP24 Movable Pitching Rubber as well as all ground receptacles. China & Taiwan.
PLUG- 24 pcs, 24 lbs
B Black O Orange Y Hi-Vis Yellow
PLUG4- 4 Pack
B Black O Orange Y Hi-Vis Yellow

GROUND RECEPTACLE
1 1/2 x 1 1/2" x 8". Metal.
GR8 (36 pcs 42 lbs)
GR84PK 4 Pack (9 sets 47 lbs)

PLASTIC END CAP FOR GR8
Black cap fits into end of GR8 receptacle. Bottom measures 1 1/2" x 1 1/2". Lip cover measures 2" x 2".
GR8CAP

RUBBER ANCHOR STAKE
1 1/2" x 1 1/2" x 8". Big end fits tightly into bottom of MPB, MDW3R molded rubber bases. China & Taiwan.
RUBA

BASE PLUG EVA FOAM RECTANGLES
1 1/8" x 1 1/8" x 5". Keeps dirt out when receptacles not in use. Hi Vis Yellow. Taiwan.
FOAMY
1 1/2" x 1 1/2" x 2 1/2". Slightly thinner than FOAMY, fits easier into and out of GR8 receptacles. EVA foam. Black.
FOAMSB

STEEL BASE ANCHOR SPIKES
12" long with closed triangular end.
XX9
12" long x 5/16" diameter. Open triangle.
XX12516

EXTRA WEB BASE STRAPS
Secures bases to anchoring spikes. 42" long x 1 1/2" wide. White.
XX3
62" long x 1 1/2" wide. White. For MDW330, MDW230, MDW228. Double wide safety first bases. For replacing the long strap that wraps through both bases.
XX6215

NAIL-STYLE GROUND SPIKES
4 spikes per set. 5 1/4" long x 3/8" diameter.
NAILGS



MARKWORT BLACK RUBBER BASE PLUGS w/BRISTLES

Tough, durable black rubber base plug.

- Orange Bristles
MWPUG-O 4 Pack
- Yellow Bristles
MWPUG-Y 4 Pack
- Red Bristles
MWPUG-RD 4 Pack
- Bucket (BUC24) comes loaded with 18 base plugs (MWPUG-Y). Clear lid. 10 3/4"H x 10".
PUG18Y

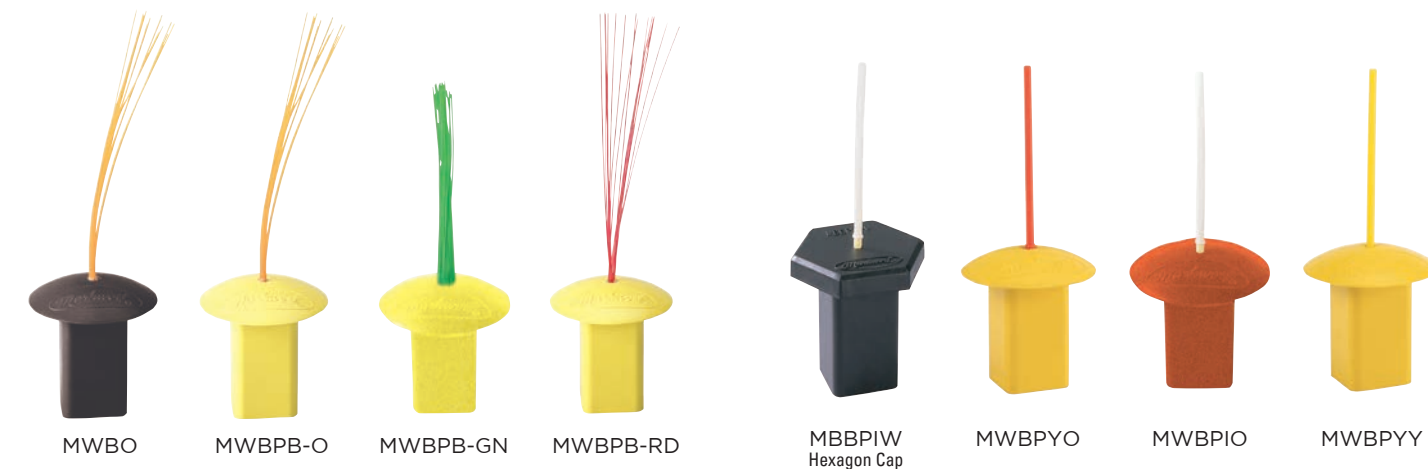


MWPUG-O

MWPUG-Y

MWPUG-RD

PUG18Y



MWBO

MWBPB-O

MWBPB-GN

MWBPB-RD

MBBPIW
Hexagon Cap

MWBPYO

MWBPIO

MWBPHY

MARKWORT BASE PLUGS w/BRISTLES

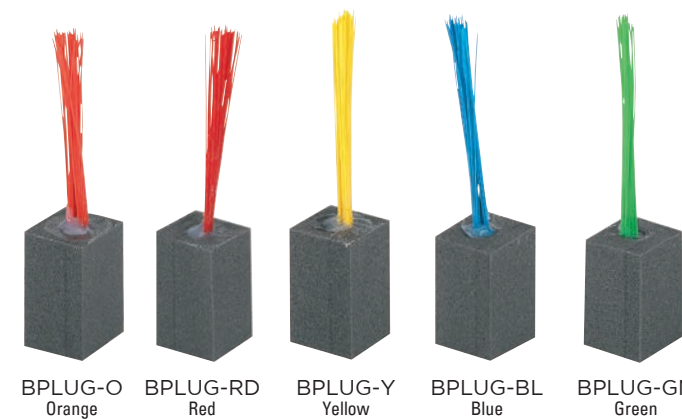
Tough, durable rubber base. 3" top mushroom diameter and 1/2" rise. Makes base receptacles easy to find.

- Black w/Orange Bristles
MWBO
- High Vis Yellow w/Orange Bristles
MWBPB-O
- High Vis Yellow w/Green Bristles
MWBPB-GN (Previously MWBPB-Y)
- High Vis Yellow w/Red Bristles
MWBPB-RD
- MWBP4-RD** 4 Pack

MARKWORT RUBBER BASE PLUGS w/SINGLE INDICATOR

Tough, durable rubber base. Single plastic indicator. 3" top mushroom diameter and 1/2" rise. Makes base receptacles easy to find.

- Black Hexagon Top w/White Indicator
MBBPIW
- High Vis Yellow Plug w/Orange Indicator
MWBPYO
- Orange Plug w/White Indicator
MWBPIO
- High Vis Yellow Plug w/Yellow Indicator
MWBPY
- MWBPY4Y** 4 Pack



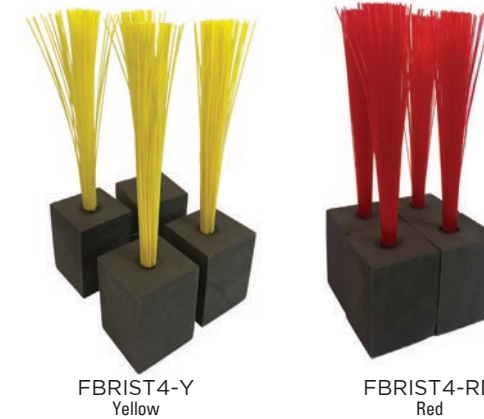
BPLUG-O Orange BPLUG-RD Red BPLUG-Y Yellow BPLUG-BL Blue BPLUG-GN Green

MAJOR LEAGUE FOAM BASE PLUGS w/BRISTLES



Replace old-fashioned base plugs with highly visible bristles. Locate base receptacles quickly and easily with these brightly colored bristles. Hi-density foam base. Withstands overhead pulls of nail drags. 1 1/8" x 1 1/8" x 2 1/4". USA

- BPLUG-**
- O** Orange Bristles **RD** Red Bristles **Y** Yellow Bristles
- BL** Blue Bristles **GN** Green Bristles



FBRIST4-Y Yellow FBRIST4-RD Red

MARKWORT BLACK FOAM BASE PLUGS WITH STRONG THICK BRISTLES

- FBRIST4-Y** Yellow (4 Pack)
- FBRIST4-RD** Red (4 Pack)



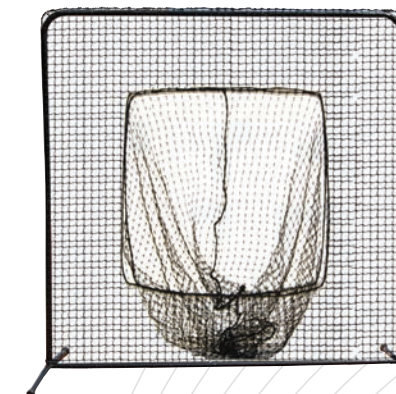
L-FRAME w/PROTECTIVE NET

For left-handed or right-handed pitchers. Provides great protection during practice. 84"H x 84"W, 33 lbs
LFWN



TRIGON 9-HOLE PITCHING TARGET

BPTRAIN9



TRIGON PROCAGE BLACK SERIES SOCK

NEXT SCREEN 7'X7'
BSL77S



DRY LINE MARKER (4 WHEEL)

Large 100 lb. capacity. 4-wheel styling with rubber tires gives stability and straighter lines over uneven terrain. Direct drive agitator gives even flow of material. Adjustable 2" or 4" line width. Hand operated shut-off. Deluxe painted all steel construction. (450) USA 40 lbs.
D50



KRYLON STRIPING PAINT

Ideal for grass and fields or short-term striping. Dries fast. Water-based. VOC compliant, lead-free. Non-clogging spray tip for crisp clean lines. 12 20 oz cans/case.
K08305 White



KRYLON ATHLETIC FIELD STRIPER

Easy operation and durable. Stripes widths of 2" to 4". 18-gauge all-steel construction. 12-can storage. 10" wheels elevate carriage for an even ride over rough or uneven surfaces, such as grass, dirt or gravel.
K08350